

Technical data sheet



Product features

Lava stone grill gas 52x36 on open cabinet

Model	SAP Code	00110078
--------------	-----------------	----------



- Griddle dimensions [mm x mm]: 520 x 360
- Container for liquid fat: Yes
- Ignition: Piezo + večný plamen

SAP Code	00110078	Net Weight [kg]	41.80
Net Width [mm]	400	Power gas [kW]	6.500
Net Depth [mm]	700	Type of gas	Natural gas, propane butane
Net Height [mm]	1004	Griddle dimensions [mm x mm]	520 x 360

Technical data sheet



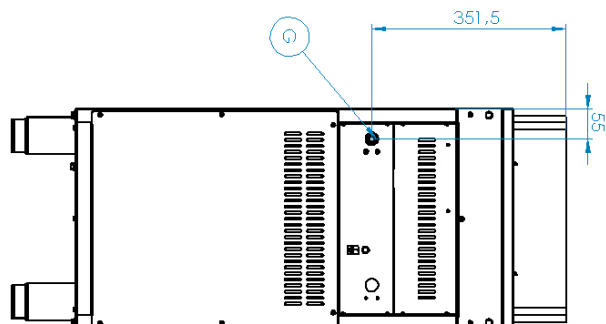
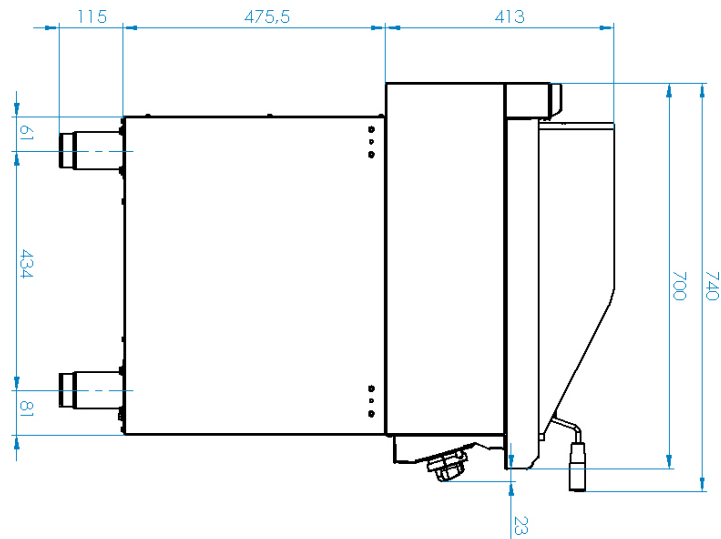
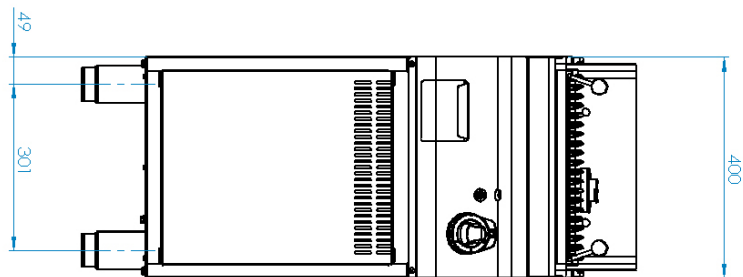
Technical drawing

Lava stone grill gas 52x36 on open cabinet

Model

SAP Code

00110078



Technical data sheet



Product benefits

Lava stone grill gas 52x36 on open cabinet

Model

SAP Code

00110078

1

All-stainless design

long life
corrosion resistance of the top plate material

- savings on service interventions
- easier and faster operation

2

Degree of protection of the control elements IPX4

maintenance-free system
resistance to splash water
long life

- savings on service interventions
- easy cleaning and maintenance of equipment

3

Outlet for waste liquids

ensures that oil drips into the socket

- easy maintenance
- easy cleaning

4

High detachable hem

better hygienic conditions
preventing grease from splashing onto ancillary equipment

- easy maintenance
- easy cleaning

5

Safety element - thermocouple

safe operation for personnel
there is no overheating and damage to the thallus
long life

- savings on service interventions
- easier and faster operation

Technical data sheet



Technical parameters

Lava stone grill gas 52x36 on open cabinet

Model	SAP Code	00110078
--------------	-----------------	----------

1. SAP Code:

00110078

2. Net Width [mm]:

400

3. Net Depth [mm]:

700

4. Net Height [mm]:

1004

5. Net Weight [kg]:

41.80

6. Gross Width [mm]:

460

7. Gross depth [mm]:

820

8. Gross Height [mm]:

1182

9. Gross Weight [kg]:

49.80

10. Device type:

Gas unit

11. Construction type of device:

With substructure

12. Power gas [kW]:

6.500

13. Ignition:

Piezo + večný plamen

14. Type of gas:

Natural gas, propane butane

15. Protection of controls:

IPX4

16. Material:

Stainless steel

17. Griddle dimensions [mm x mm]:

520 x 360

18. Container for liquid fat:

Yes

19. Removable device container:

No